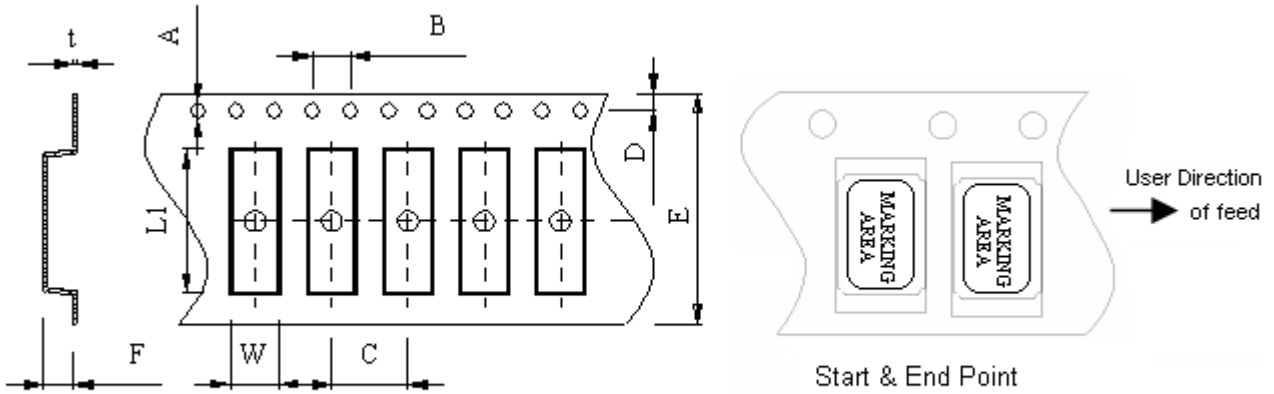


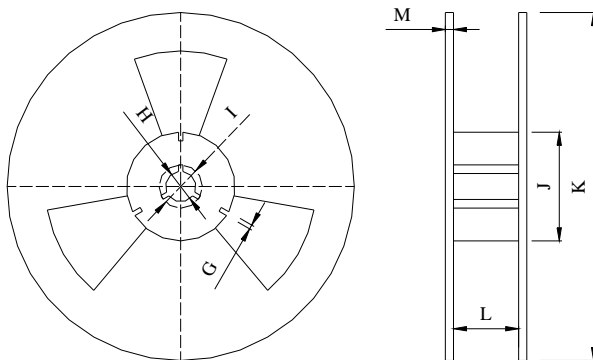
I PACKAGE(reference to EIA-481)

Tape Dimensions(unit : mm)



| A | B | C | D | E | F | L1 | W | t |
|------|-----|-----|-----|------|-----|-----|-----|-----|
| 1.50 | 4.0 | 8.0 | 5.5 | 12.0 | 1.5 | 5.4 | 3.6 | 0.3 |

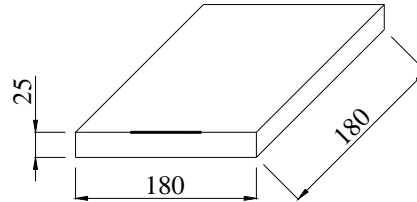
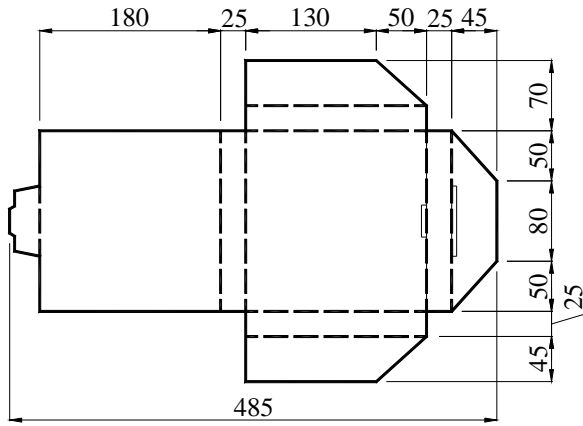
Reel Dimensions(unit: mm)



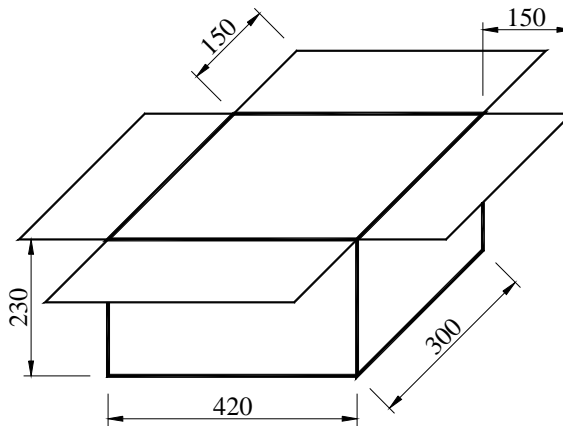
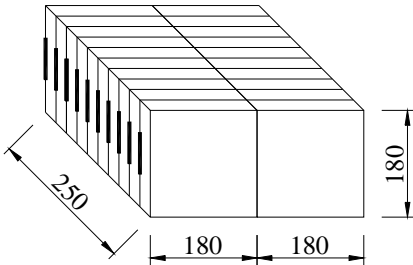
| G | H | I | J | K | L | M |
|-----|------|------|------|-----|------|-----|
| 2.5 | 13.5 | 21.6 | 60.0 | 178 | 13.5 | 1.6 |

*1000pcs/Reel

Carton Dimension (unit : mm)



1 reel = 1 Inner box



20 Inner boxes = 1 Carton

20kpcs = 1 Carton